

DM3102 2MP Eyeball Dome IP Camera



- Full HD 1080p
- 30 fps at 1920 x 1080
- 2.8 mm, F1.8, fixed lens
- True day & night with automatic removable IR-cut filter
- IR 20m range
- Smart feature: Corridor Mode, ROI



The CHAMP DM3102. Best-in-class image quality and essential features in an affordable and compact package. 1080p resolution, H.264 compression, IR LEDs, PoE and IP66 weatherproof, fitting the bill for most applications where a clear image day and night is all that's needed.

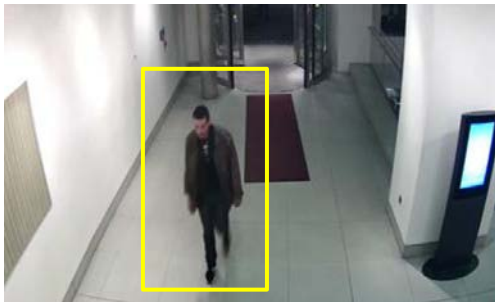
ROI (Region of Interest) spends your precious bandwidth and storage on the areas that really matter to you, and Corridor mode allows for vertical "portrait"-shaped video streams, that help you to make the most of your field of view in staircases, aisles, tunnels and many more.



Features

- Full HD 1080p
- 1/2.8" CMOS sensor
- H.264 and Motion JPEG compression
- 30 fps at 1920 x 1080
- IR 20m range
- 2.8 mm, F1.8, Fixed lens
- True day & night with automatic removable IR-cut filter
- Smart feature: Corridor Mode, ROI
- RTC with built-in battery
- Tampering detection
- Motion detection
- IP66 weatherproof
- 3-axis angle adjustment for easy installation on wall or ceiling
- SSL v3 advanced HTTPS encryption
- Full support for Firefox, Safari and Mac OS
- Supports Samba network storage
- Multi-lingual user interface
- ONVIF 2.4 and Profile S compliant
- Free 32-channel NVR software

ROI



ROI(region of interested)
Save streaming by allocating more bandwidth on the

Corridor Mode



Nomal

Corridor Mode

Applications

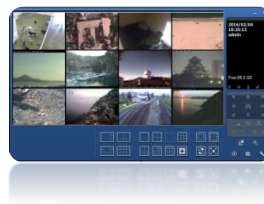


1. City Surveillance
2. Retail
3. Transportation

IP Surveillance Solutions

• Free 32ch NVR Software

- The most professional NVR software you can get for free!
- Support up to 32 channels
 - Up to 32 channels remote live view
 - Remote playback 4 channels
 - Multi-site / multi-server
 - Transcoding (record high quality, transcode to different resolution/ frame rate for remote client to save bandwidth)
 - iOS/ Android mobile client (multi-channel live view | playback | PTZ & I/O control)
 - E-maps (up to 4 layers | unlimited number of maps | video preview)
 - Dual monitor
 - ePTZ
 - Multi-lingual user interface
- *32ch free license for CHAMP cameras, but need to activate license for other brand



• ONVIF

All IP cameras are ONVIF 2.x & Profile S compliant, and continuously upgraded to comply with the latest versions



Technical Specifications

Camera

Model	DM3102 2M IR Eyeball Dome
Image sensor	1/2.8" CMOS sensor
Lens	2.8 mm, F1.8
Angle of view	96° horizontal
Min illumination	0.05 lux @ F1.8 (color) 0.005 lux (B/W) 0 lux (IR LED on)
IR working distance	20m effective range
Day/Night function	Mechanical IR cut filter

Video

Video compression	Motion JPEG H.264 baseline/ main profile/ high profile
Resolutions	Motion JPEG: 5 resolutions from 1920 x 1080 to 320 x 240 via API 3 resolutions from 640 x 480 to 320 x 240 via API H.264: 5 resolutions from 1920 x 1080 to 320 x 240 via API 3 resolutions from 640 x 480 to 320 x 240 via API
Frame rate	Motion JPEG: up to 25 fps at 1920 x 1080 H.264: up to 25 fps at 1920 x 1080
Video streaming	Simultaneous Motion JPEG, H.264 Controllable frame rate and bandwidth Support unicast (Real Time Streaming Protocol)
Image settings	Rotation: mirror, flip, mirror+ flip WDR enhanced Brightness, contrast, saturation, sharpness Overlay capabilities: time, date, text and privacy Image ROI

Network

Security	Multiple user access levels with password protection, HTTPS encryption Bonjour, TCP/ IP, DHCP, DNS, DynDNS, PPPoE, ARP, ICMP, FTP, SMTP, NTP, UPnP, RTSP, RTP, RTCP, HTTP, HTTPS, SSL, TCP, UDP
Users	5 simultaneous users

Alarm and Event Support

Alarm and event	Input: motion detection, tampering detection, periodical Output: network storage, FTP, SMTP, HTTP event Pre and post event image
------------------------	--

System

	RJ-45 Ethernet 10/ 100 Base-T(with PoE) Reset push button DC 12V power supply ONVIF 2.4 & Profile S
--	--

General

Casing	Metal housing
Housing	IP66 rated weatherproof housing
Power	12V DC, 1A Power consumption: Max. 4W PoE (Power over Ethernet) built-in IEEE 802.3af

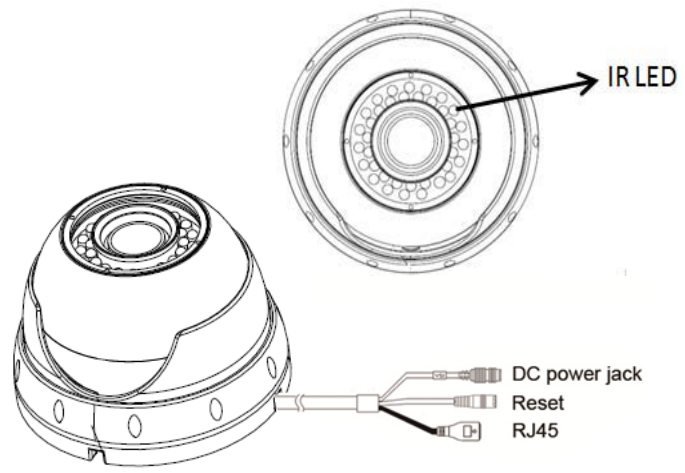
Operating conditions -10°C - 60°C

Installation, management and maintenance	CHAMP camera management tool on website and web-based configuration. Configuration of backup and restore firmware upgrades over HTTP, firmware available at www.champsolution.com
Minimum web browsing requirement	Pentium 2.8GHz (or equivalent AMD) 256MB RAM graphic cards (or equivalent on-board graphic cards) 1G RAM Windows 2008, XP, Vista or Windows 7 Mac OS Leopard 10.5 or later
Dimensions (HxWxD)	56.8 x 119.24 x 82.79mm
Weight	710g excl. power supply
Included accessories	Quick installation guide, mounting and connector kits Download on website (Camera Installation Tool, Video Management Tool, User Manuals, Camera LanguagePacks)
Certification	CE, FCC, RoHS

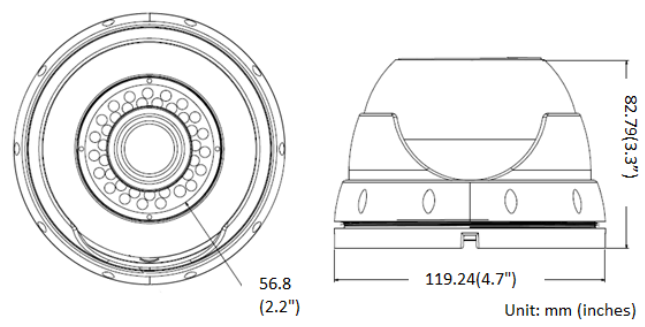
Integration

software	For viewing, recording and archiving up to 32 ch cameras
-----------------	--

Part Names and Functions



Dimensions



B1, No.207-1, Sec. 3, Beixin Rd., Xindian Dist., New Taipei City 231, Taiwan | www.champsolution.com

Tel : +886-2-7739-2260 | Fax : +886-2-7703-3377 | Mail : inquiry@champsolution.com

© 2015 All rights reserved. THIS DOCUMENT IS PROVIDED FOR INFORMATIONAL PURPOSES ONLY AND IS NOT INTENDED AS ADVERTISING. ALL WARRANTIES RELATING TO THE INFORMATION IN THIS DOCUMENT, EITHER EXPRESS OR IMPLIED, ARE DISCLAIMED TO THE MAXIMUM EXTENT ALLOWED BY LAW. THE INFORMATION IN THIS DOCUMENT IS SUBJECT TO CHANGE WITHOUT NOTICE. ALL MENTIONED BRAND NAMES ARE REGISTERED TRADEMARKS AND PROPERTY OF THEIR OWNERS.