
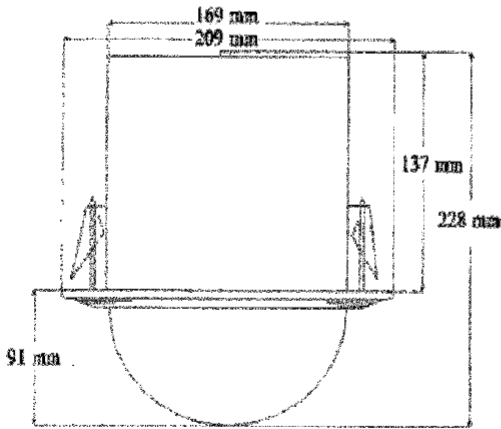
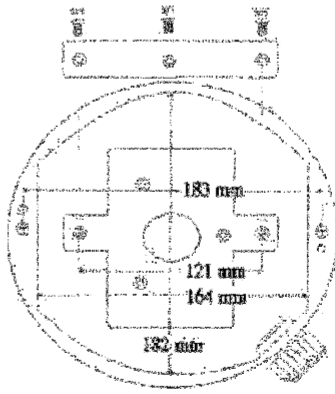


Model	Specification	
VT-10HA-T VT-10HA-S VT-10HB-T VT-10HB-S 	1. Indoor Dome enclosure 2. Made of aluminum material, 3. Strengthen Acrylic cover. 4. Model definition: VT-10H <u>X</u> ₁ - <u>X</u> ₂ a. <u>X</u> ₁ means PT model A means PT31x2 series B means PZ61x2 series b. <u>X</u> ₂ means Cover T means transparent cover S means smoked cove	
Weight	Net Weight: 1000g/Gross Weight: 1750g	
Dimensions: Packing: Inner Box (Housing & cover) : W267 x L267 x H270 (mm) Outer Packing Carton: W585 x L585 x H565 (mm)  		
Supported Devices	PT3112, PT3122, PZ6112, PZ6122	