

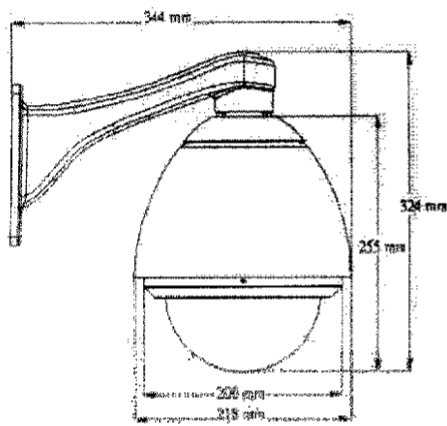
Dimensions:

Packing:

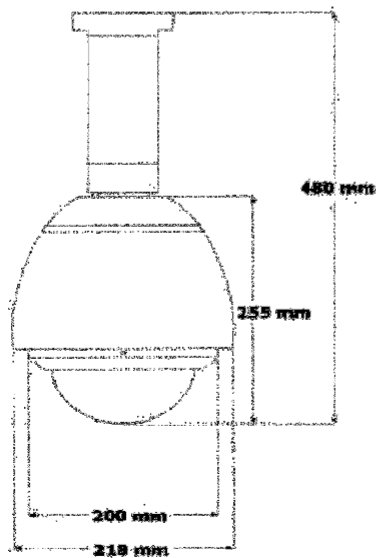
OUTER PACKING BOX: W270 x L400 x H350 (mm)

Each Outer Box contains:

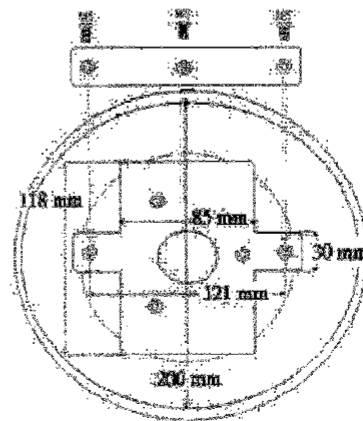
- 1.Housing x 1
- 2.Cover x 1
- 3.Straight tube x1 or Wall Mount tube x1
- 4.Switching Power x1
5. Accessory Pack x1



VT-16W series



VT-16WR series



Supported Devices | PT3112,PT3122,PZ6112,PZ6122