

TOUCHVIEW™

WIRELESS REMOTE CONTROL SYSTEM FOR THE VADDIO CONTROLVIEW™

Vaddio's TouchVIEW Wireless Remote Control System provides for individual RF remote control buttons that can be placed on whiteboards, podiums, tables, etc., so that the presenter can switch to any video preset they require as they move around the room. The TouchVIEW system comes with four individual RF remote control transmitters and one TouchVIEW receiver. Three receivers can be used on one ControlVIEW system (12 remotes total) or up to 15 receivers can be used with a ControlVIEW Xtreme.



TECHNICAL FEATURES

- Four RF remote control button transmitters with 62 unique program frequencies.
- One RF receiver, capable of receiving four remote control buttons.
- Expandable to twelve wireless remote controls by using three receivers.
- Up to a 100 foot range.
- 433.92 MHz transmitting frequency.
- 12 VDC power supply.
- Terminal block connection to ControlVIEW's preset input interface.

TECHNICAL SPECIFICATIONS

Operating Frequency	433 MHz
Transmission Range	75-100 feet
Receiver Connections	8-Pin Phoenix Connector
Receiver Power Requirements	12V Power Supply
Receiver Control Power Requirements	3V Button Cell Battery – CR2032
Dimensions	
Receiver	
Depth	3"
Width	5 3/4"
Height	1 3/4"
Remote Control Button	
Depth	9/16"
Width	1 3/4"
Height	3 1/4"

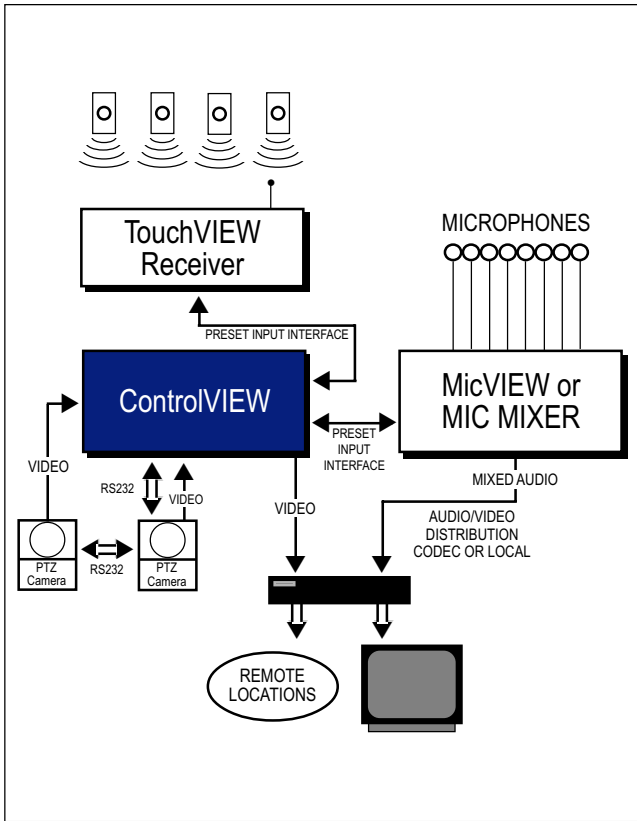


Figure 1 – TouchVIEW setup, with mixer.

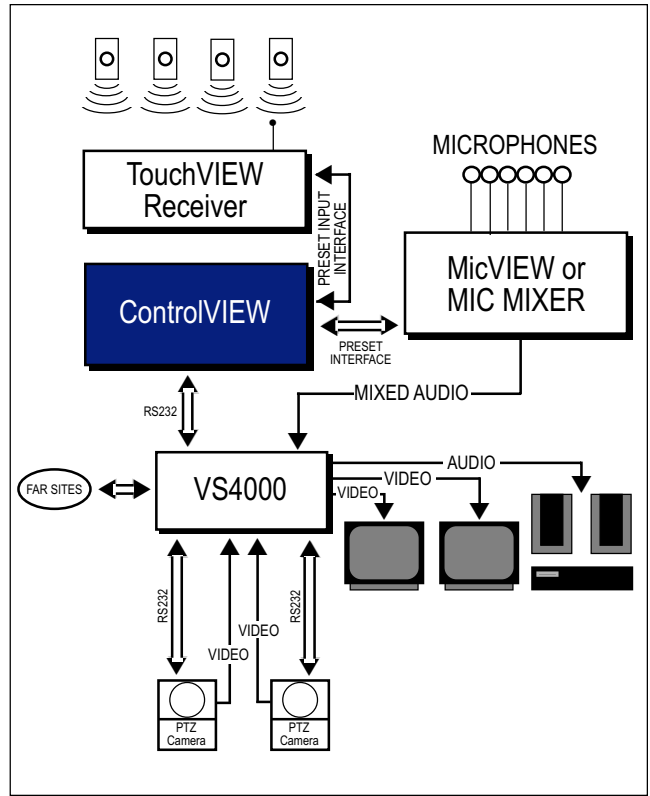


Figure 2 – TouchVIEW setup, Polycom® VS4000 or Viewstation™ FX or EX.

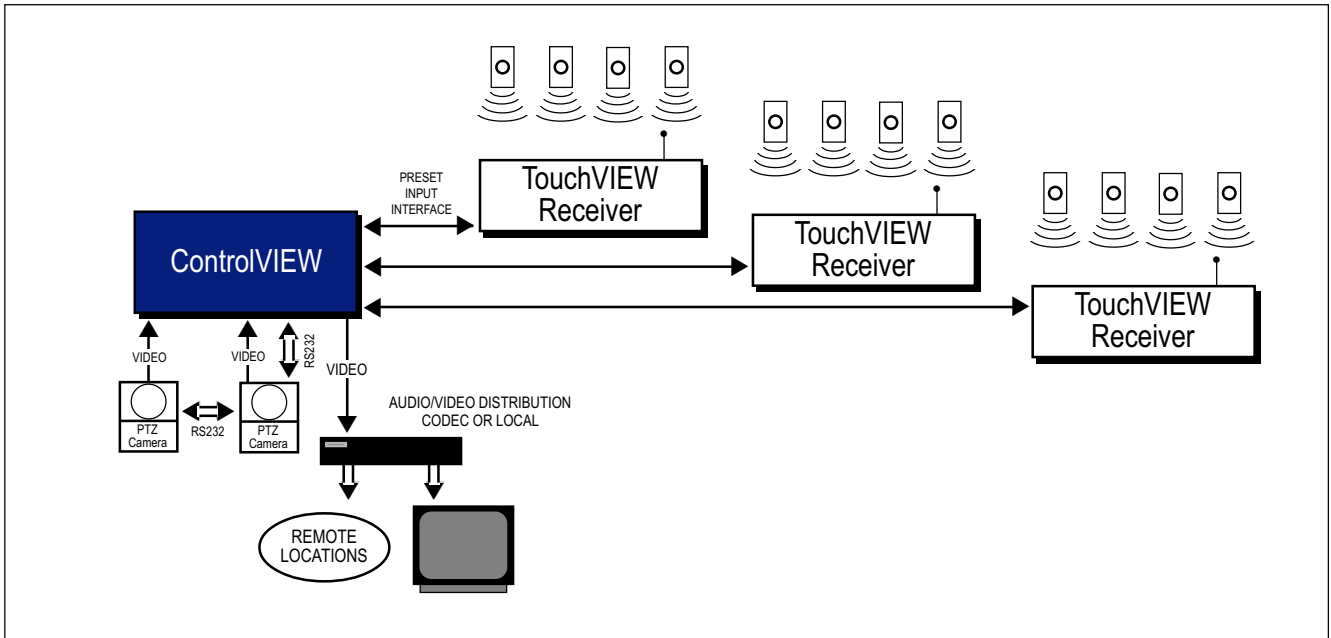


Figure 3 – TouchVIEW setup, expanded.

