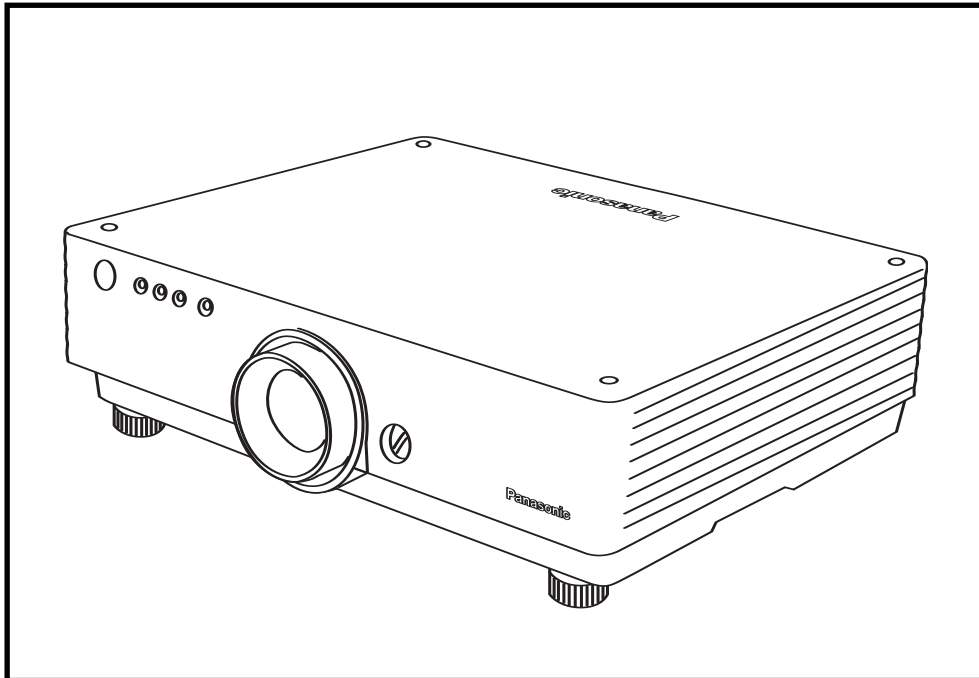


S P E C F I L E



The PT-D5600L is not equipped with a lens.

Product Number : **PT-D5600/D5600L**

Product Name : DLPTM-Based Projectors

Specifications

Main Unit

Power supply:	North America:	120 V AC, 50/60 Hz
	Europe:	220–240 V AC, 50/60 Hz
Power consumption:	North America:	770 W (770 VA) (10 W during standby mode with fan stopped)
	Europe:	750 W (790 VA) (15 W during standby mode with fan stopped)
DMD™ device:	Panel size:	0.7" diagonal (4:3 aspect ratio)
	Display method:	DMD™ x 1, DLP™ system
	Pixels:	786,432 (1,024 x 768) x 1, total of 786,432 pixels
Lens:	PT-D5600:	Powered zoom/focus lenses (1:1.8–1:2.5), F 1.7–2.0, f 25.6–33.8 mm
	PT-D5600L:	Optional poweredzoom/focus lenses
Lamp:		300 W UHM™ lamps (x 2) (dual lamp system)
Screen size:		50–600 inches
Brightness :		5,000 lumens (dual lamp, high power mode)
Center-to-corner uniformity:		90%
Contrast:		2,000:1 (full on/full off, contrast mode: high) 1,000:1 (full on/full off, contrast mode: normal)
Resolution:	RGB:	1,024 x 768 pixels (1,600 x 1,200 pixels compatible, compression mode)
	Video:	560 TV lines
Scanning frequency:	RGB:	Horizontal: 15–91 kHz, Vertical: 50–85 Hz, Dot clock: 108 MHz or lower
	YPbPr (YCbCr):	480i: fh 15.75 kHz; fv 60 Hz, 576i: fh 15.63 kHz; fv 50 Hz, 480p: fh 31.5 kHz; fv 60 Hz, 576p: fh 31.25 kHz; fv 50 Hz, 720/60p: fh 45 kHz; fv 60 Hz, 720/50p: fh 37.5 kHz; fv 50 Hz, 1035/60i: fh 33.75 kHz; fv 60 Hz, 1080/60i: fh 33.75 kHz; fv 60 Hz, 1080/50i: fh 28.13 kHz; fv 50 Hz
	S-Video/Video:	Horizontal: 15.75/15.63 kHz, Vertical: 50/60 Hz, (NTSC, NTSC4.43, PAL, PAL60, PAL-N, PAL-M, SECAM) Horizontal (manual) and vertical (powered), horizontal: ±10% (6:4–4:6), vertical: 0–50% (0:10–10:10)
Optical axis shift:		Vertical: ±30° (with standard lens)
Keystone correction range:		
Installation:		Ceiling/floor, front/rear
Terminals:	DVI-D IN:	DVI-D 24-pin x 1, DVI 1.0 compliant, HDCP compatible, for single link only
	EDID 1	480p, 576p, 720/60p, 720/50p, 1080/60i, 1080/50i
	EDID 2	For non-interlaced signals only, Display mode: From VGA (640 x 480) to SXGA (1,280 x 1,024), Dot clock: 25 MHz–108 MHz
	RGB 1 IN:	BNC x 5
	R, G, B:	G: 0.7 Vp-p (G: 1.0 Vp-p for sync on G), 75Ω, B, R: 0.7 Vp-p, 75Ω HD/VD, SYNC: 1.4 Vp-p–5.0 Vp-p, 75Ω (positive/negative)
	Y, Pb, Pr:	Y: 1.0 p-p, 75Ω, Pb/Pr: 0.7 Vp-p, 75Ω
	RGB 2 IN:	D-sub HD 15-pin x 1
	R, G, B:	G: 0.7 Vp-p (G: 1.0 Vp-p for sync on G), 75Ω, B, R: 0.7 Vp-p, 75Ω HD/VD, SYNC: 1.4 Vp-p–5.0 Vp-p, 75Ω (positive/negative)
	Y, Pb, Pr:	Y: 1.0 p-p, 75Ω, Pb/Pr: 0.7 Vp-p, 75Ω
	VIDEO IN:	BNC x 1, 1.0 Vp-p, 75Ω
	S-VIDEO IN:	Mini DIN 4-pin x 1, Y: 1.0 Vp-p, C: 0.286 Vp-p, 75Ω
	SERIAL IN:	D-sub 9-pin x 1 (RS-232C compliant) for external controller
	SERIAL OUT:	D-sub 9-pin x 1 (RS-232C compliant) for external controller
	REMOTE 1 IN:	M3 jack x 1 for wired remote control or link control
	REMOTE 1 OUT:	M3 jack x 1 for link control
	REMOTE 2 IN:	D-sub 9-pin x 1 for external control (parallel)
	LAN:	RJ-45 x 1, compliant with PLink™, 10Base-T/100Base-TX
On-screen menu:		9 languages: English, French, German, Spanish, Italian, Russian, Korean, Chinese, and Japanese
Noise:		35 dB (high lamp power mode), 29 dB (low lamp power mode)

Power cord length:		3.0 m (9.9')
Dimensions (W x H x D):		530 x 167 x 429 mm (20-7/8" x 6-9/16" x 16-7/8") (without lens)
Weight:	PT-D5600	14.5 kg (32.0 lbs) (with supplied lens)
	PT-D5600L	13.7 kg (30.2 lbs) (without lens)
Operating temperature:		0°–45°C (32°–113°F)
Operating humidity:		20%–80% (no condensation)

Remote Control Unit

Power supply:		3 V DC (AAA battery x 2)
Operation range*:	Wireless:	Approx. 7 m when operated from directly in front of the signal receptor
	Wired:	Approx. 15 m
Dimensions (W x H x D):		45 x 145 x 24.5 mm (1-3/4" x 5-11/16" x 15/16")
Weight:		Approx. 115 g (4.9 oz.) (including batteries)

Supplied Accessories

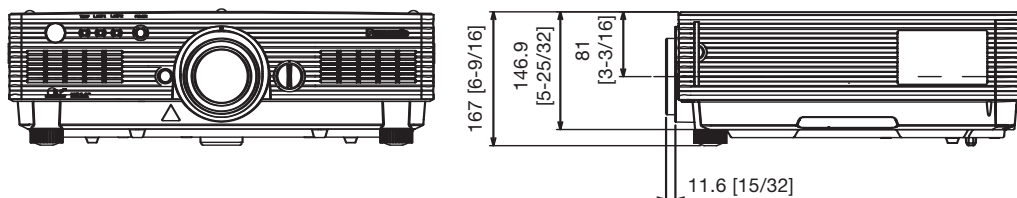
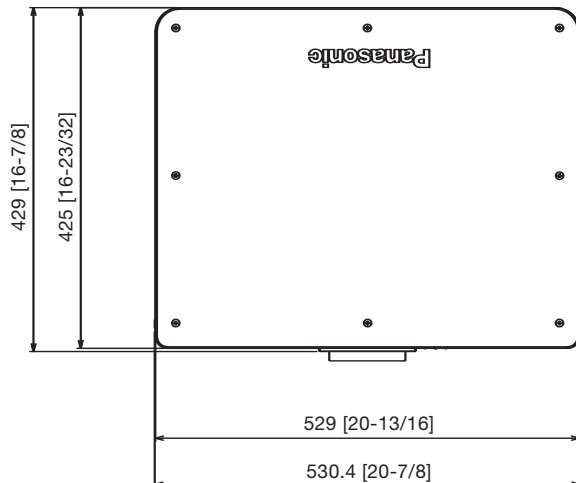
Power cord, Wireless/wired remote control unit, Batteries for remote control (x 2)

Optional Accessories

Replacement lamp unit:	ET-LAD55 (1 unit)
	ET-LAD55W (set of two lamps)
Replacement long-life lamp unit:	ET-LAD55L (1 unit)
	ET-LAD55LW (set of two lamps)
Ceiling mount bracket:	ET-PKD56H (for high ceilings)
	ET-PKD55S (for low ceilings)
Zoom lens (1.3-1.8:1)	ET-DLE100
Zoom lens (2.5-4.0:1)	ET-DLE200
Zoom lens (3.7-5.7:1)	ET-DLE300
Zoom lens (3.4-4.5:1)	ET-DLE310
Zoom lens (5.7-8.0:1)	ET-DLE400
Zoom lens (4.5-8.4:1)	ET-DLE410
Fixed-focus lens (0.8:1)	ET-DLE050
Wireless mouse receiver	ET-RMRC2

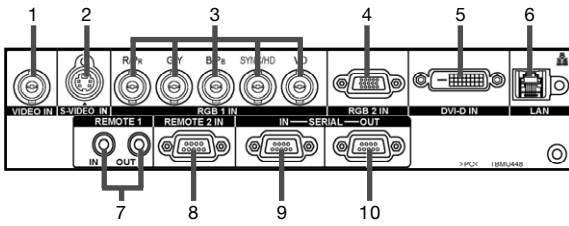
*Operation range differs depending on environments.
Weights and dimensions shown are approximate.
Specifications subject to change without notice.

Dimensions



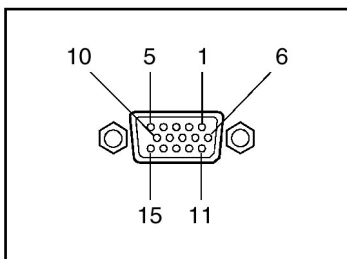
unit : mm (inch)
NOTE: This illustration is not drawn to scale.
The illustration shows the PT-D5600L.

Terminals



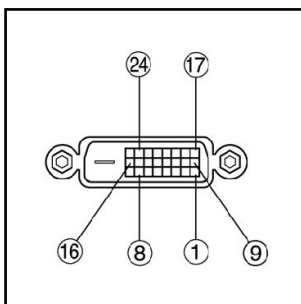
- 1 Video input
- 2 S-Video input
- 3 RGB 1 input
- 4 RGB 2 Input
- 5 DVI-D input
- 6 LAN connector
- 7 Remote 1 input and output
- 8 Remote 2 input
- 9 Serial input
- 10 Serial output

RGB IN connector pin assignment



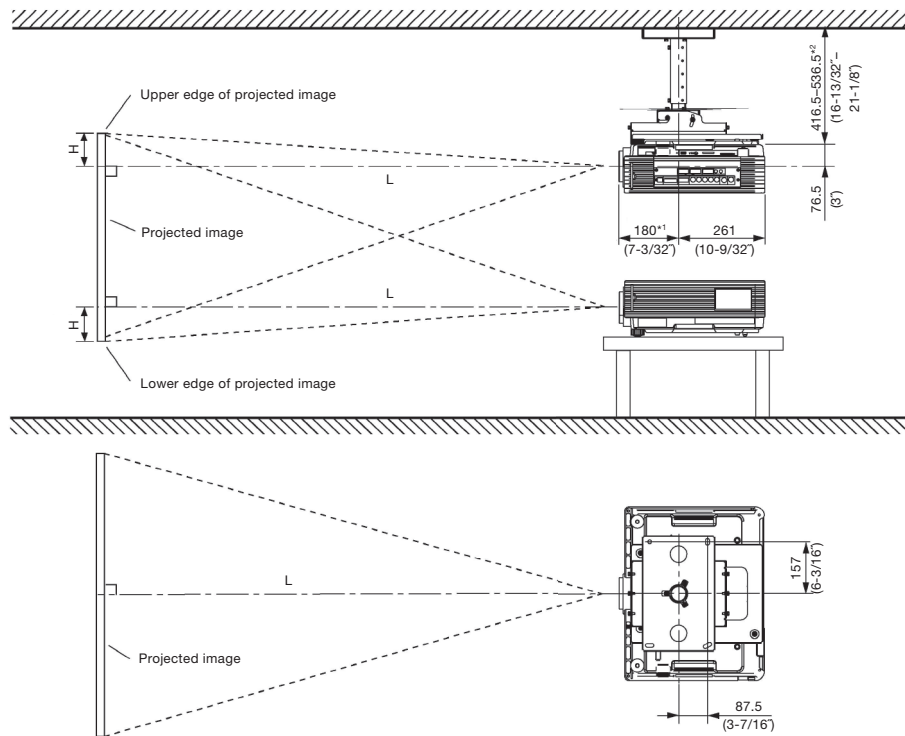
no.	signal	no.	signal	no.	signal
1	R/PR	6	GND	11	GND
2	G/Y	7	GND	12	NC
3	B/PB	8	GND	13	HD/SYNC
4	NC	9	NC	14	VD
5	GND	10	GND	15	NC

DVI-D output connector pin assignment



no.	signal	no.	signal	no.	signal
1	T, M, D, S data 2-	9	T, M, D, S data 1-	17	T, M, D, S data 0-
2	T, M, D, S data 2+	10	T, M, D, S data 1+	18	T, M, D, S data 0+
3	T, M, D, S data 2 shield	11	T, M, D, S data 1 shield	19	T, M, D, S data 0 shield
4	NC	12	NC	20	NC
5	NC	13	NC	21	NC
6	DDC clock	14	+5 V	22	T, M, D, S clock shield
7	DDC clock	15	GND	23	T, M, D, S clock +
8	NCsignal	16	Hot plug detection	24	T, M, D, S clock -

Standard setting-up positions



*1 When the lens protrudes to the maximum.
 172 mm (6-25/32") with the ET-DLE050
 204 mm (8-1/32") with the ET-DLE100
 203 mm (8") with the ET-DLE200
 191 mm (7-17/32") with the ET-DLE300
 191 mm (7-17/32") with the ET-DLE400

*2 Adjustable in 40 mm (1-9/16") steps.

unit : mm (inch)

NOTE:

Illustrations show the projector installed using optional ceiling bracket.
 This illustration is not drawn to scale.

Projection distance (screen aspect ratio 4:3)
 (meters)

Screen size (inch, diagonal)	ET-DLE100 Zoom lens (1.33-1.78:1)		Supplied lens (1.8-2.5:1)		ET-DLE200 Zoom lens (2.5-4.0:1)		ET-DLE300 Zoom lens (3.7-5.7:1)		ET-DLE310 Zoom lens (3.4-4.5:1)		ET-DLE400 Zoom lens (5.7-8.0:1)		ET-DLE410 Zoom lens (4.5-8.4:1)		ET-DLE050 Fixed-focus lens (0.8:1)
	min.	max.	min.	max.	min.	max.	min.	max.	min.	max.	min.	max.	min.	max.	
50	1.33	1.81	1.79	2.38	2.45	4.04	3.84	6.03	3.38	4.44	5.90	8.30	4.49	8.51	0.79
60	1.61	2.18	2.16	2.86	2.96	4.87	4.63	7.26	4.08	5.35	7.08	9.94	5.42	10.24	0.96
70	1.89	2.56	2.53	3.35	3.46	5.69	5.43	8.49	4.77	6.26	8.26	11.59	6.34	11.97	1.13
80	2.16	2.93	2.90	3.84	3.97	6.52	6.22	9.73	5.47	7.17	9.43	13.23	7.27	13.70	1.29
90	2.44	3.30	3.27	4.33	4.47	7.34	7.02	10.96	6.17	8.08	10.61	14.88	8.20	15.43	1.46
100	2.71	3.67	3.64	4.82	4.97	8.16	7.81	12.19	6.86	8.99	11.78	16.53	9.12	17.16	1.62
120	3.27	4.42	4.38	5.79	5.98	9.81	9.40	14.65	8.26	10.81	14.14	19.82	10.97	20.62	1.96
150	4.09	5.53	5.49	7.26	7.49	12.28	11.79	18.35	10.35	13.54	17.66	24.76	13.75	25.81	2.45
200	5.47	7.39	7.34	9.70	10.01	16.40	15.76	24.51	13.83	18.09	23.54	32.99	18.38	34.46	3.28
250	6.85	9.25	9.19	12.14	12.53	20.52	19.74	30.67	17.32	22.64	29.42	41.22	23.01	43.11	-
300	8.23	11.11	11.04	14.58	15.05	24.64	23.71	36.83	20.80	27.19	35.30	49.45	27.64	51.76	-
350	9.61	12.97	12.89	17.02	17.57	28.76	27.69	42.99	24.29	31.74	41.18	57.68	32.27	60.41	-
400	10.99	14.83	14.74	19.46	20.09	32.88	31.66	49.15	27.77	36.29	47.06	65.91	36.90	69.06	-
500	13.75	18.55	18.44	24.34	25.13	41.12	39.61	61.47	34.74	45.39	58.82	82.37	46.16	86.36	-
600	16.51	22.27	22.14	29.22	30.17	49.36	47.56	73.79	41.71	54.49	70.58	98.83	55.42	103.66	-

**Projection distance (screen aspect ratio 4:3)
(feet)**

Screen size (inch, diagonal)	ET-DLE100 Zoom lens (1.33–1.78:1)		Supplied lens (1.8–2.5:1)		ET-DLE200 Zoom lens (2.5–4.0:1)		ET-DLE300 Zoom lens (3.7–5.7:1)		ET-DLE310 Zoom lens (3.4–4.5:1)		ET-DLE400 Zoom lens (5.7–8.0:1)		ET-DLE410 Zoom lens (4.5–8.4:1)		ET-DLE050 Fixed-focus lens (0.8:1)
	min.	max.	min.	max.	min.	max.	min.	max.	min.	max.	min.	max.	min.	max.	
50	4.38	5.94	5.85	7.79	8.05	13.26	12.59	19.78	11.08	14.58	19.37	27.21	14.74	27.93	2.60
60	5.28	7.16	7.07	9.39	9.70	15.97	15.19	23.82	13.37	17.56	23.22	32.61	17.77	33.60	3.15
70	6.19	8.38	8.28	10.99	11.36	18.67	17.80	27.86	15.65	20.55	27.08	38.01	20.81	39.28	3.69
80	7.09	9.60	9.50	12.59	13.01	21.37	20.41	31.90	17.94	23.53	30.94	43.40	23.85	44.95	4.24
90	8.00	10.82	10.71	14.19	14.66	24.08	23.02	35.94	20.23	26.52	34.80	48.80	26.88	50.63	4.78
100	8.90	12.04	11.92	15.79	16.32	26.78	25.62	39.98	22.51	29.50	38.65	54.20	29.92	56.30	5.33
120	10.72	14.49	14.35	18.99	19.62	32.18	30.84	48.06	27.09	35.47	46.37	65.00	36.00	67.65	6.42
150	13.43	18.15	17.99	23.80	24.58	40.29	38.66	60.18	33.94	44.43	57.94	81.20	45.11	84.67	8.05
200	17.96	24.25	24.06	31.80	32.85	53.81	51.70	80.39	45.37	59.35	77.23	108.19	60.29	113.04	10.77
250	22.48	30.35	30.13	39.80	41.11	67.32	64.74	100.59	56.81	74.27	96.51	135.19	75.48	141.42	-
300	27.01	36.45	36.19	47.81	49.38	80.83	77.78	120.80	68.24	89.20	115.80	162.18	90.67	169.79	-
350	31.54	42.55	42.26	55.81	57.64	94.35	90.81	141.00	79.67	104.12	135.08	189.17	105.85	198.16	-
400	36.06	48.65	48.33	63.81	65.91	107.86	103.85	161.21	91.10	119.05	154.37	216.17	121.04	226.53	-
500	45.12	60.85	60.47	79.82	82.44	134.89	129.93	201.62	113.96	148.89	192.94	270.16	151.41	283.28	-
600	54.17	73.05	72.60	95.83	98.97	161.91	156.00	242.03	136.82	178.74	231.52	324.15	181.79	340.02	-

**Projection distance (screen aspect ratio 16:9)
(meters)**

Screen size (inch, diagonal)	ET-DLE100 Zoom lens (1.33–1.78:1)		Supplied lens (1.8–2.5:1)		ET-DLE200 Zoom lens (2.5–4.0:1)		ET-DLE300 Zoom lens (3.7–5.7:1)		ET-DLE310 Zoom lens (3.4–4.5:1)		ET-DLE400 Zoom lens (5.7–8.0:1)		ET-DLE410 Zoom lens (4.5–8.4:1)		ET-DLE050 Fixed-focus lens (0.8:1)
	min.	max.	min.	max.	min.	max.	min.	max.	min.	max.	min.	max.	min.	max.	
50	1.46	1.98	1.95	2.60	2.68	4.41	4.19	6.58	3.69	4.85	6.43	9.03	4.91	9.29	0.87
60	1.76	2.38	2.35	3.13	3.23	5.31	5.06	7.92	4.45	5.84	7.71	10.82	5.92	11.17	1.05
70	2.06	2.79	2.76	3.66	3.78	6.21	5.92	9.26	5.21	6.83	8.99	12.62	6.93	13.06	1.23
80	2.36	3.19	3.16	4.19	4.33	7.11	6.79	10.61	5.97	7.82	10.27	14.41	7.93	14.94	1.41
90	2.66	3.60	3.56	4.72	4.88	8.01	7.66	11.95	6.72	8.81	11.55	16.20	8.94	16.83	1.59
100	2.96	4.00	3.97	5.26	5.42	8.90	8.52	13.29	7.48	9.80	12.83	18.00	9.95	18.71	1.77
120	3.57	4.81	4.77	6.32	6.52	10.70	10.25	15.97	9.00	11.79	15.40	21.58	11.97	22.48	2.14
150	4.47	6.03	5.98	7.92	8.17	13.39	12.85	20.00	11.28	14.76	19.24	26.96	15.00	28.14	2.68
200	5.97	8.05	8.00	10.58	10.91	17.88	17.18	26.71	15.07	19.71	25.64	35.93	20.04	37.56	3.58
250	7.48	10.08	10.01	13.24	13.66	22.37	21.51	33.42	18.87	24.67	32.05	44.89	25.09	46.99	-
300	8.98	12.10	12.03	15.90	16.40	26.86	25.84	40.13	22.66	29.62	38.45	53.86	30.13	56.41	-
350	10.49	14.13	14.04	18.56	19.15	31.35	30.17	46.84	26.46	34.58	44.86	62.82	35.18	65.84	-
400	11.99	16.15	16.06	21.22	21.89	35.84	34.50	53.55	30.25	39.53	51.26	71.79	40.22	75.26	-
500	15.00	20.20	20.09	26.54	27.38	44.82	43.16	66.97	37.84	49.44	64.07	89.72	50.31	94.11	-
600	18.01	24.25	24.12	31.86	32.87	53.80	51.82	80.39	45.43	59.35	76.88	107.65	60.40	112.96	-

**Projection distance (screen aspect ratio 16:9)
(feet)**

Screen size (inch, diagonal)	ET-DLE100 Zoom lens (1.33–1.78:1)		Supplied lens (1.8–2.5:1)		ET-DLE200 Zoom lens (2.5–4.0:1)		ET-DLE300 Zoom lens (3.7–5.7:1)		ET-DLE310 Zoom lens (3.4–4.5:1)		ET-DLE400 Zoom lens (5.7–8.0:1)		ET-DLE410 Zoom lens (4.5–8.4:1)		ET-DLE050 Fixed-focus lens (0.8:1)
	min.	max.	min.	max.	min.	max.	min.	max.	min.	max.	min.	max.	min.	max.	
50	4.79	6.49	6.40	8.52	8.79	14.48	13.75	21.58	12.10	15.91	21.09	29.62	16.10	30.47	2.85
60	5.78	7.81	7.72	10.26	10.59	17.42	16.59	25.98	14.59	19.16	25.29	35.50	19.41	36.65	3.44
70	6.76	9.14	9.04	12.01	12.39	20.37	19.43	30.38	17.08	22.41	29.49	41.38	22.72	42.84	4.04
80	7.75	10.47	10.36	13.75	14.19	23.31	22.27	34.78	19.57	25.66	33.69	47.26	26.03	49.02	4.63
90	8.74	11.80	11.68	15.50	15.99	26.26	25.11	39.19	22.06	28.91	37.90	53.14	29.34	55.20	5.22
100	9.72	13.13	13.01	17.24	17.79	29.21	27.95	43.59	24.55	32.16	42.10	59.02	32.64	61.38	5.82
120	11.70	15.78	15.65	20.73	21.39	35.10	33.63	52.39	29.53	38.66	50.50	70.79	39.26	73.75	7.01
150	14.66	19.77	19.61	25.97	26.80	43.93	42.15	65.60	36.99	48.41	63.11	88.43	49.19	92.30	8.79
200	19.60	26.41	26.22	34.69	35.80	58.66	56.36	87.61	49.44	64.66	84.11	117.83	65.74	123.21	11.76
250	24.53	33.05	32.83	43.41	44.80	73.39	70.56	109.61	61.89	80.92	105.12	147.24	82.29	154.13	-
300	29.47	39.70	39.44	52.14	53.81	88.11	84.76	131.62	74.34	97.17	126.13	176.64	98.83	185.04	-
350	34.41	46.34	46.05	60.86	62.81	102.84	98.96	153.63	86.78	113.42	147.14	206.05	115.38	215.95	-
400	39.34	52.98	52.66	69.59	71.81	117.57	113.17	175.64	99.23	129.67	168.15	235.46	131.93	246.87	-
500	49.22	66.26	65.88	87.04	89.82	147.02	141.57	219.66	124.13	162.18	210.16	294.27	165.03	308.70	-
600	59.09	79.55	79.10	104.49	107.83	176.48	169.98	263.68	149.02	194.68	252.18	353.08	198.12	370.52	-

Calculation of the projection distance

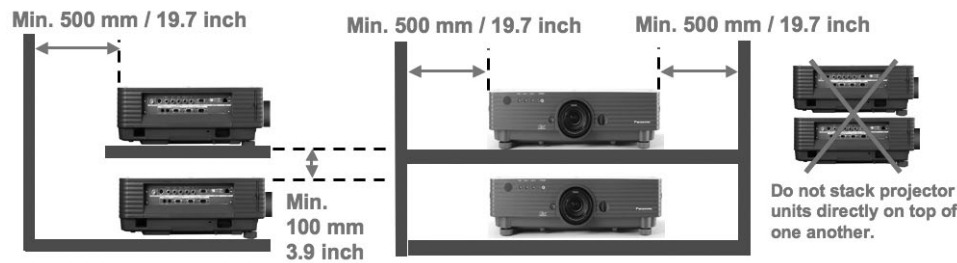
For a screen size different from the above, use the equation below to calculate the projection distance.

ET-DLE100	4 : 3	minimum	$L (m) = (\text{diagonal screen size in inches}) \times 0.0276 - 0.0452$
		maximum	$L (m) = (\text{diagonal screen size in inches}) \times 0.0372 - 0.0478$
	16 : 9	minimum	$L (m) = (\text{diagonal screen size in inches}) \times 0.0301 - 0.0452$
		maximum	$L (m) = (\text{diagonal screen size in inches}) \times 0.0405 - 0.0478$
Supplied lens	4 : 3	minimum	$L (m) = (\text{diagonal screen size in inches}) \times 0.0370 - 0.0650$
		maximum	$L (m) = (\text{diagonal screen size in inches}) \times 0.0488 - 0.0638$
	16 : 9	minimum	$L (m) = (\text{diagonal screen size in inches}) \times 0.0403 - 0.0650$
		maximum	$L (m) = (\text{diagonal screen size in inches}) \times 0.0532 - 0.0638$
ET-DLE200	4 : 3	minimum	$L (m) = (\text{diagonal screen size in inches}) \times 0.0504 - 0.0657$
		maximum	$L (m) = (\text{diagonal screen size in inches}) \times 0.0824 - 0.0758$
	16 : 9	minimum	$L (m) = (\text{diagonal screen size in inches}) \times 0.0549 - 0.0657$
		maximum	$L (m) = (\text{diagonal screen size in inches}) \times 0.0898 - 0.0758$
ET-DLE300	4 : 3	minimum	$L (m) = (\text{diagonal screen size in inches}) \times 0.0795 - 0.1380$
		maximum	$L (m) = (\text{diagonal screen size in inches}) \times 0.1232 - 0.1310$
	16 : 9	minimum	$L (m) = (\text{diagonal screen size in inches}) \times 0.0866 - 0.1380$
		maximum	$L (m) = (\text{diagonal screen size in inches}) \times 0.1342 - 0.1310$
ET-DLE310	4 : 3	minimum	$L (m) = (\text{diagonal screen size in inches}) \times 0.0697 - 0.1062$
		maximum	$L (m) = (\text{diagonal screen size in inches}) \times 0.0910 - 0.1056$
	16 : 9	minimum	$L (m) = (\text{diagonal screen size in inches}) \times 0.0759 - 0.1062$
		maximum	$L (m) = (\text{diagonal screen size in inches}) \times 0.0991 - 0.1056$
ET-DLE400	4 : 3	minimum	$L (m) = (\text{diagonal screen size in inches}) \times 0.1176 + 0.0244$
		maximum	$L (m) = (\text{diagonal screen size in inches}) \times 0.1646 + 0.0651$
	16 : 9	minimum	$L (m) = (\text{diagonal screen size in inches}) \times 0.1281 + 0.0244$
		maximum	$L (m) = (\text{diagonal screen size in inches}) \times 0.1793 + 0.0651$
ET-DLE410	4 : 3	minimum	$L (m) = (\text{diagonal screen size in inches}) \times 0.0926 - 0.1374$
		maximum	$L (m) = (\text{diagonal screen size in inches}) \times 0.1730 - 0.1352$
	16 : 9	minimum	$L (m) = (\text{diagonal screen size in inches}) \times 0.1009 - 0.1374$
		maximum	$L (m) = (\text{diagonal screen size in inches}) \times 0.1885 - 0.1352$
ET-DLE050	4 : 3	(fixed focus)	$L (m) = (\text{diagonal screen size in inches}) \times 0.0166 - 0.0361$
	16 : 9	(fixed focus)	$L (m) = (\text{diagonal screen size in inches}) \times 0.0181 - 0.0361$

Notes on Projector Placement and Operation:

The projector uses a high-wattage lamp that becomes very hot during operation. Please observe the following precautions.

1. Never place objects on top of the projector while it is operating.
2. Make sure there is an unobstructed space of 500 mm or more around the projector's exhaust openings.
3. Do not stack projector units directly on top of one another for the purpose of multiple (stacked) projection. When stacking projector units, be sure to provide the amount of space indicated below between them. These space requirements also apply to installations where only one projector unit is operating at one time and the other unit is used as a backup.
4. If the projector is placed in a box or enclosure, ensure the temperature of the air surrounding the projector is between 0°C and 35°C. Also make sure the projector's intake and exhaust openings are not blocked. Take particular care to ensure that hot air from the exhaust openings is not sucked into the intake openings.

**Operating the Projector Continuously:**

1. If the projector is to be operated continuously 24 hours a day, use the dual-lamp optical system's alternating lamp operation (lamp changer) function. The projector cannot be operated continuously 24 hours a day in dual-lamp mode.
Allow a minimum of two hours per day of non-operation time.
2. The lamp replacement cycle duration becomes shorter if the projector is operated repeatedly for short periods.