

# CB-1000 8-Button Control Panel

## IR and Serial Outputs

### FEATURES

- Up to 4 IR outputs
- RS-232 output
- Built-in IR learning
- On-board Scheduler
- Security Pass-code
- Audible button click
- Backlighting
- File-based Cloning
- Battery Backup
- Single-gang mount
- Serial programming port with software
- RJ-45 jack for power, IR and Serial
- 12 VDC power

### BENEFITS

- Subtle, modern look
- Visible and audible user feedback
- Scheduled projector off command
- Control any IR or Serial device
- Field configurable
- Scalable
- Easy setup

The CB-1000 is an economical single-gang, wall-mount button panel that offers eight programmable tactile buttons, useful for controlling projectors, DVD players and other AV gear. As a stand-alone controller, the IR or Serial output of the CB-1000 is wired directly to the devices being controlled. Alternatively, CB-1000 outputs can serve as input triggers to Calypso Pro I/O or ION networked controllers, expanding the number and type of devices being controlled.

CB-1000 set up, including IR learning, is fast and reliable using an on-board serial programming port and CB-1000 Config Software. Simply learn the IR code with the built-in IR learner and assign IR or Serial codes to each button. Once fully programmed, the entire CB-1000 configuration can be saved to an off-line file and used to configure additional devices via the on-board serial programming port. In addition, the CB-1000 offers pass-code security to lock or unlock the button panel, and scheduled control through an on-board clock with battery back-up.

To complete the solution, a set of 24 individual, pre-labeled button "caps" are included with each CB-1000. Select the appropriate cap, mount the button on the surface of the CB-1000 and lock everything down with a standard Decora™ face plate. The result is a professional, robust and versatile wall mount control solution.

### Connect. Configure. Create.

**Automated  
Serial Cloning**

**8 Tactile  
Buttons**

**24 Unique  
Button Caps**



**Up to 4 IR or  
Serial codes  
per button**

**Decora™  
Compatible**

**Audible  
button click**

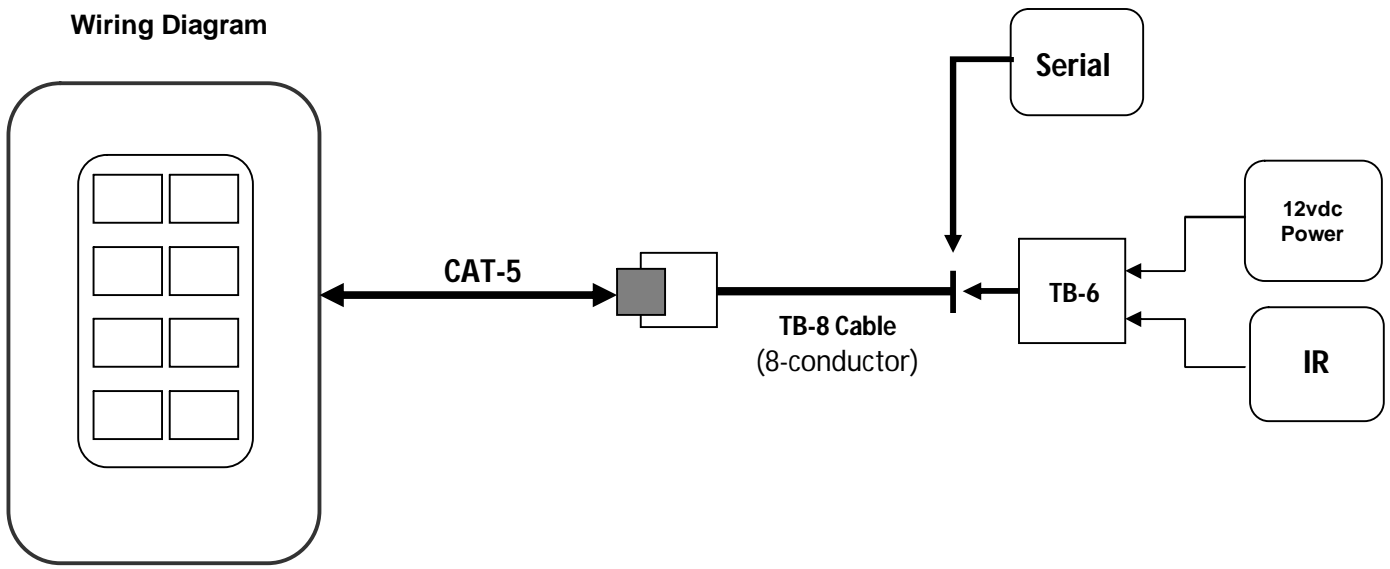


# 8-Button IR Panel

Product Number: CB-1000



Wiring Diagram



## Button Labels

			MIC
			Proj
Video		Input	
	Vol		On
	Scrn		CH
	Scrn		CH
	Off		Light
			Light

## Specifications

Format	Single-gang, Decora
Weight	3.6 oz
Power Supply	12VDC, 125mA
Output type	RJ-45 to 8-conductor wire (IR, Serial, Power)
Current-Limiting Resistor	360 Ohm / 8ma Drive
Recommended Wire:	22-24 Gauge (Cat-5)
CW-TB Dimensions	2" W x 1.75 H x .5" D

Calypso Control Systems, Inc.  
 944 O'Keefe Road  
 Hudson, WI 54016  
 Tel: 715-381-9646  
 Fax: 715-381-9647  
[www.calypsocontrol.com](http://www.calypsocontrol.com)

