



FEATURES

- 1** **PRECISION HEIGHT & LEVELING**
Industry-first micro height and leveling adjustment, $\pm 3^\circ$.
- 2** **FAST INSTALLATION**
Innovative quick-connect system.
- 3** **VARIABLE EXTENSION OPTIONS**
Telescoping extension and infinite projector placement make it easy to achieve a picture perfect installation.
- 4** **INTEGRATED CABLE MANAGEMENT**
Fully internal cable management system conceals and protects cables for a clean finish.



(Includes RSMA™ Mini Projector Mount)

SPECIFICATIONS

Extension	28 - 52.5" (71.1 - 133.3 cm)
Pitch	$\pm 3^\circ$
Dimensions (HxWxD)	14.17 x 7.27 x 56.37" (36 x 19 x 143.2 cm)
Weight Capacity	25 lbs (11.3 kg)
Color	Silver

WHAT YOU NEED TO KNOW

ABOUT WM130S

For use with RSA, RPA, RSMA and RPMA projector mounts. For a complete solution order the kit (WM130AUS™). Kit includes one short throw wall mount accessory plus one RSMAUS projector mount (see page 7).

OTHER PRODUCT OPTIONS



WM110S™ / WM110AUS

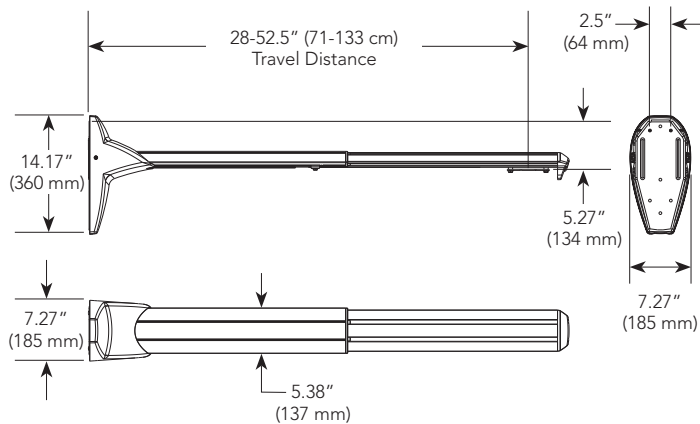
Wall mount accessory / Kit
 – Max. extension 11.25 - 18" (28.6 - 45.7 cm)
 – Weight Cap. 50 lbs (22.7 kg)



WM120S™ / WM120AUS

Wall mount accessory / Kit
 – Max. extension 16 - 28.5" (40.6 - 72.4 cm)
 – Weight Cap. 25 lbs (11.3 kg)

TECHNICAL DRAWINGS



MOUNTFINDER™ PRO

See MountFinder at www.chiefmfg.com for detailed mount compatibility. Search by MFG or Chief Model #.