



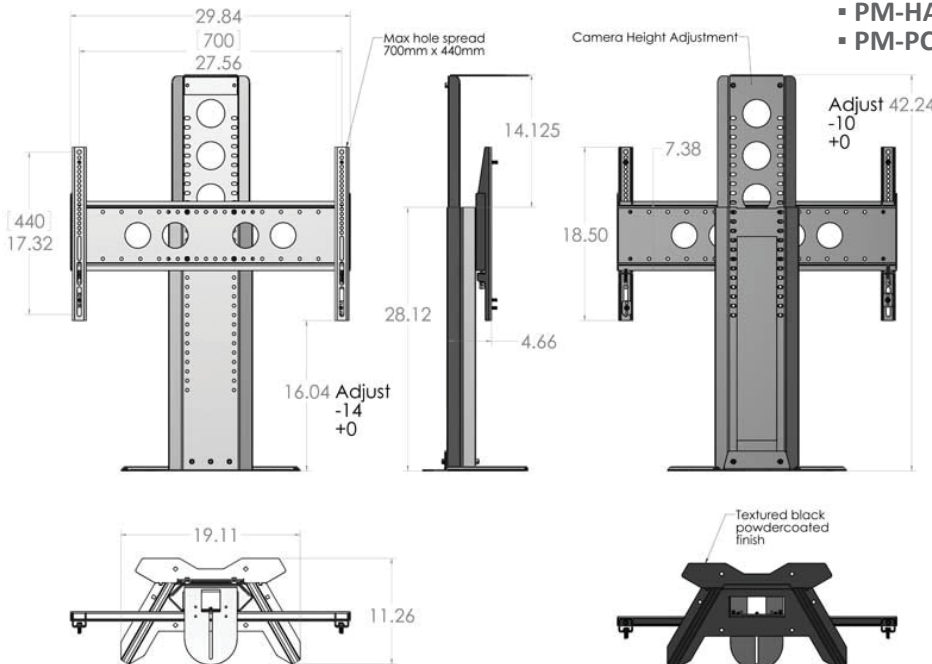
The **PM-S** mount for single monitors integrates with our display carts to provide a solid, secure connection creating a truly portable roll-about video system. Designed for videoconferencing installations, this unit features a camera/codec shelf.

Standard Features

- Accommodates 40" - 80" displays (160 lbs max)
- Sturdy 11 Ga steel construction
- Scratch resistant powder coat finish
- Wiring channel inside main pillar
- Adjustable height camera mount during setup
- Adjustable TV bracket height during setup
- Designed for pre-drilled our display carts

Options

- **PM-CVR** Cosmetic steel cover for base
- **PM-CMP** Camera mounting plate (Required with *EagleEye™)
- **PM-CAM** For mounting camera below TV
- **PM-HDCB** HD Codec bracket
- **PM-HD-EXP** LifeSize® Express™ 200/220 bracket
- **PM-PB** Mounted six outlet power bar with 10 ft. cord
- **PM-S2D-KIT** upgrade to dual mount PM-D
- **PM-2RU** 2U bracket
- **CBB-TV** Under TV camera bracket (26" - 80" TV's)
- **BKT-ST60** Cisco SpeakerTrack60 Camera bracket
- **BKT-C20** C20 codec bracket
- **BKT-SX20** SX20 Codec bracket
- **PM-BKT-S** Additional TV bracket for rear or below main TV
- **PM-HANDLE** Grab handles
- **PM-PC-BKT** Codec/PC bracket



Specifications

Model: PM-S
Width: see dims drawing
Depth: "
Height: "

Color



The information contained in this drawing is the sole property of Audio Visual Furniture International. Any reproduction in part or as a whole without the written permission of Audio Visual Furniture International is prohibited. We can build or modify stock configurations to suit customer specifications. Please contact us to discuss how this service can help meet your needs. Some quantity restrictions may apply. Specification subject to change without notice. Computers, cameras, monitors, etc. are shown to illustrate product usage and are not included unless otherwise noted. *Polycom® and EagleEye™ are registered trademarks of Polycom of Pleasanton, California